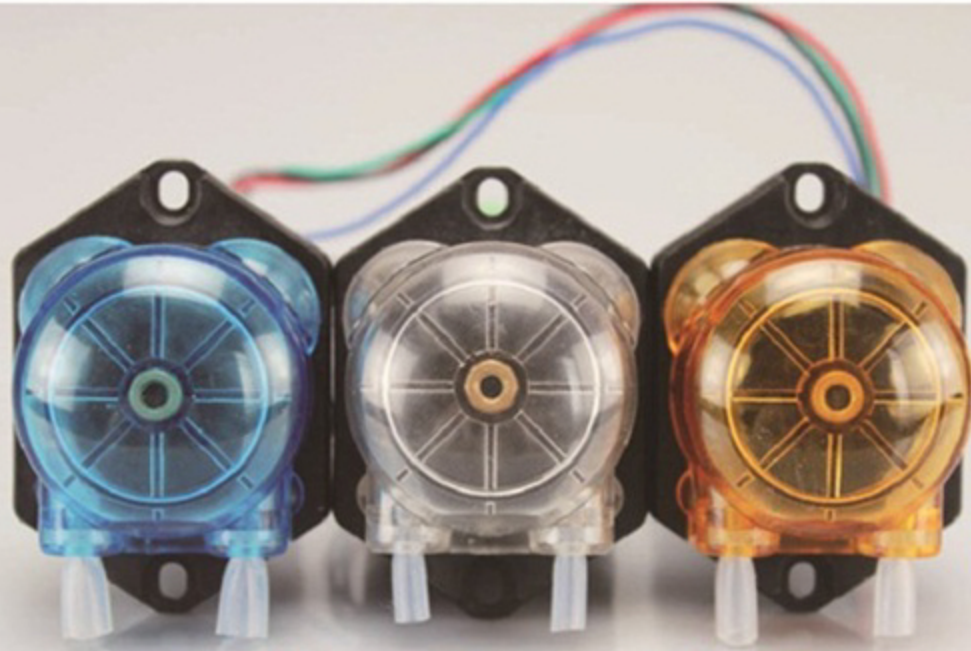


MN1



MN1 mini peristaltic pumps ≤ 88ml/min

MN1 mini peristaltic pumps ≤ 88ml/min

- ★ New products in 2014, mini peristaltic pump, width 40mm, compact.
- ★ Can be installed side by side to save space, is fully compatible with the market similar friction peristaltic pump.
- ★ Gear motor or stepper motor are available, with a high life expectancy and reliability.
- ★ Plastic with enhanced functionality, excellent corrosion resistance.
- ★ Precision molding technology, perfect industrial design, tool-free disassembly.
- ★ No joints, can freely assemble the largest diameter of 4mm tubing.

Usage

Detergent delivery: such as washing machines, dishwashers	Analytical Instruments: analytical instrumentation injector
Printing Equipment: transportation Ink	Food machinery: such as drinks machine
Kitchen Equipment: Warewashing Equipment	Laundry facilities: Laundry Equipment
Car wash equipment: Car wash Equipment	Analysis equipment: Analytical Equipment



Feature

- New products in 2014, mini peristaltic pump, compact, ultra-small size, width only 40mm, maximum flow rate only 96ml/min.
- Can be installed side by side to save space, fully compatible with the market similar friction peristaltic pump.
- Three roller wheels, fit hose with 1mm thickness, the maximum diameter of up to 4mm, without chucking pipe fittings.
- Precision molding technology, perfect industrial design, tool-free disassembly pump cover, easy to replace hose.
- Plastics with enhanced functionality, and high functional plastic wheel, excellent resistance to corrosion.
- Can be equipped with fixed-speed normal DC gear motor, DC planetary gear motor (Quantitative) and the stepper motor (Optional drives, variable flow); the stepper motor can meet the long-life low-noise motor operation requirements.
- There are three color pump cover in optional (Transparent color, blue, yellow, no claim will be randomly shipped).

Selection affirms

- Please use high speed in gap. For no flow accuracy requirement and strict cost control, please use ordinary DC gear motor or DC planetary gear motor. Requires precise control of flow and high requirements for motor life suggested to use stepper motor.
- Continuous long-term operation, please running with lower speed (150RPM or less)



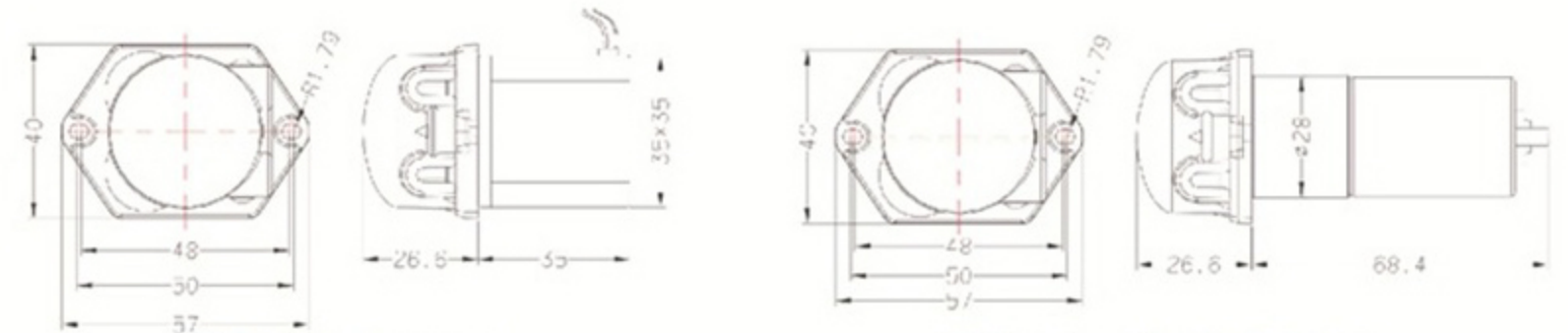
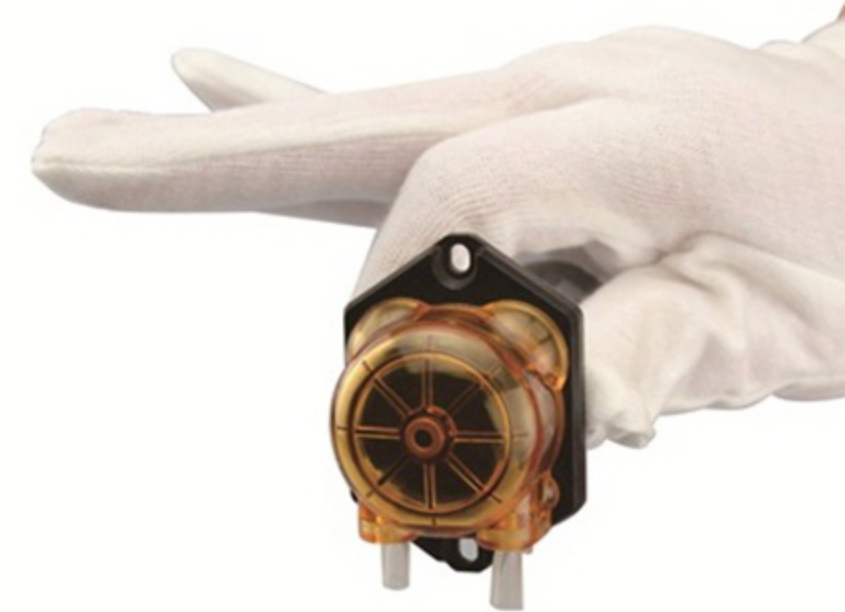
Specification

Item	MN1/ZL/ZLX (DC motor)	MN1/BT (stepper motor)
Speed	Gear motors speed: 5/10/30/50/60/100/200RPM Planetary gear motor: 50/100/150/200RPM	0.1~200r
Hose	Fitted the hose with 1mm thickness 2×1, 3×1, 4×1	
Flow rate	2-96ml/min	0-96ml/min
Rollers	3	
Motor power	3-12W	5-30W
Motor	28 type DC gear motor Lower noise and longer life of planetary gear motor in optional, but the price is slightly expensive	35 type stepper motor, need to be equipped with stepper drive before running, standard non-drive
Drive	Speed can be adjusted by DC converter board	Three drive control board in optional, Click to view details
Voltage	6V, 12V, 24V (6V to futures)	Supply voltage 6~36V
Material	Pump body PA66+30GF, cover PC, roller PA66+MuS2	
Weight	1MN1/ZLX: 288g MN1/ZL: 240g	MN1/BT: 375g

Flow rate for MN1 (ml/min, medium water)

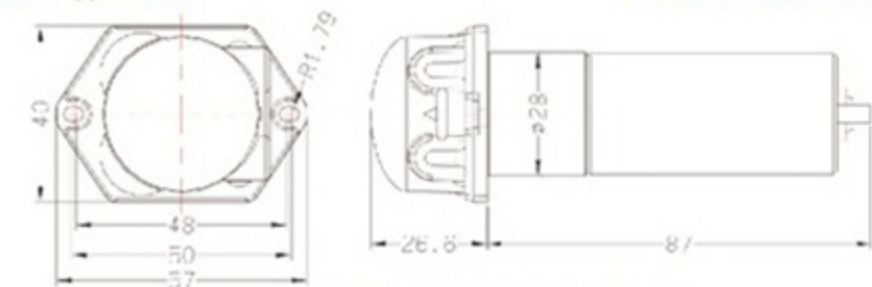
ID*Thickness	2×1	3×1	4×1
5rpm	0.7	1.3	2.2
10rpm	1.5	2.7	4.4
30rpm	4.3	8	13.2
50rpm	7.2	13.7	22
60rpm	8.7	16.5	26.4
65rpm	9.5	17.8	28.6
100rpm	14.5	27.5	44
150rpm	21	41	66
200rpm	29	55	88

Flow description: As there is an inaccuracy for DC motor speed, with the actual output speed changes, the actual flow of the peristaltic pump will change, please give full consideration of this factor when selection.



MN1 Dimensions stepper motor

MN1 dimensions with ordinary DC motor



MN1 Dimensions with DC planetary gear motor